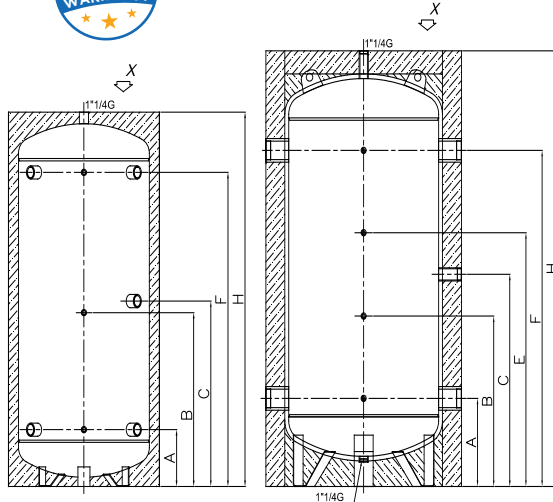


Hot/cold Storage tank – PUFFER TWIN

available versions with 4 couplings or 6 couplings

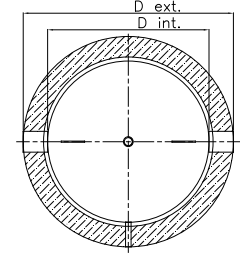
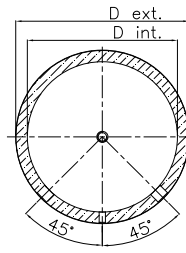


W-PFT4 50 | 100 | 200 | 300 | 500 | 800 | 1000 | 1500 | 2000



S235JR carbon steel raw tank with 4 couplings. These models are used for storing technical water for heating or refrigeration. Thermal insulation is achieved with rigid polyurethane foam for models from 50lt to 500lt, while for higher capacity models insulation is achieved with anti-condensation PEXL and polyester wadding. PVC exterior finish.

Available version with 6 connections (W-PFT6).



models 50-500l

models 800-2000l

models 50-500l

models 800-2000l

SPECIFICATIONS		50	100	200	300	500	800	1000	1500	2000
Capacity	[l]	50	97	204	301	469	735	885	1470	2008
Total height with insulation (H)	[mm]	835	795	1480	1475	1615	1880	2135	2595	2635
Tipping height *without insulation	[mm]	965	1005	1615	1645	1815	2015*	2255*	2725*	2795*
Diameter with insulation (Dext) without insulation (Dint)	[mm]	410 -	560 -	560 -	650 -	750 -	1030 (830)**	1030 (830)**	1190 (990)**	1340 (1140)**
Insulation	[mm]	55 (Direct PU foam)			50 (Direct PU foam)		20 (PEXL) + 100 (Polyester fibre)			
Energy class – Total dispersion		A 26W	A 35W	B 54W	B 69W	C 88W	C 96W	C 104W	C 141W	C 162W
Weight	[Kg]	20	28	50	59	80	130	145	218	285
Max. operating pressure	[bar]	6								
Max operating temperature	[°C]	95°								
Min operating temperature	[°C]	7°								

** for models from 800 to 2000 litres only the Polyester fibre part is removable, while the PEXL part is fixed.

QUOTAS	A	B	C	E	F
W-PFT4-50	170	415	465	-	660
W-PFT4-100	185	395	445	-	605
W-PFT4-200	185	735	785	-	1285
W-PFT4-300	225	725	775	-	1230
W-PFT4-500	245	800	800	-	1355
W-PFT4-800	380	735	735	1095	1450
W-PFT4-1000	380	820	820	1260	1700
W-PFT4-1500	500	1040	1040	1580	2120
W-PFT4-2000	510	1050	1050	1590	2130

COUPLINGS	Free connection - Probe	Probe	Electrical resistance	Probe	Free connection - Probe	Vent
	A	B	C	E	F	H
mod.50÷500	1" 1/2 G	1/2" G	1" 1/2 G	-	1" 1/2 G	1" 1/4 G
mod.800÷2000	3" G	1/2" G	1" 1/2 G	1/2" G	3" G	1" 1/4 G